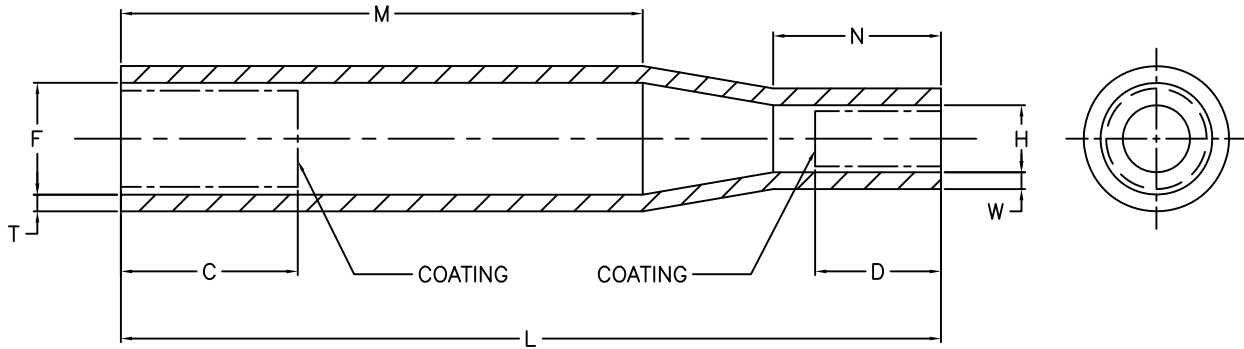




**IKEBANA ENGINEERING LTD.**  
Heat shrinkable cable accessories

IKEBANA ENGINEERING LTD.  
ENGINEERING DRAWING :  
HEAT SHRINKABLE  
CABLE ACCESSORIES

PRODUCT	MV STRAIGHT BOOT
MODEL	IXL 560 TO IXL 565
DOCUMENT NO.	DR/MFG/560
PAGE	1 OF 1



MV STRAIGHT BOOT

MODEL	H	EXP-H	F	EXP-F	L	M	N	C	D	W	T
	S	E	S	E	S	S	S	E	E	S	S
IXL560	18.00	35.00	30.00	81.00	220.00	140.00	45.00	50.00	25.00	4.50	4.50
IXL565	18.00	60.00	30.00	81.00	220.00	140.00	45.00	50.00	25.00	4.50	4.50

E : DIMENSION WHEN EXPANDED  
S : DIMENSION WHEN RECOVERED

NOTES

- ALL DIMENSIONS ARE IN MM.
- TOLERANCES :

THICKNESS	W & T	± 10%
LENGTHS	L,M,EXP-M,C&D	± 10%
DIAMETERS	H,EXP-M,F,EXP-F	± 5%

REVISION NO.	3	FIRST ANGLE PROJECTION	SCALE : NTS	ALL DIMENSIONS IN MM.
DATE	16/01/21	DRAWN BY : Wanathaphong	APPROVED BY :	SANJEEV NABAR